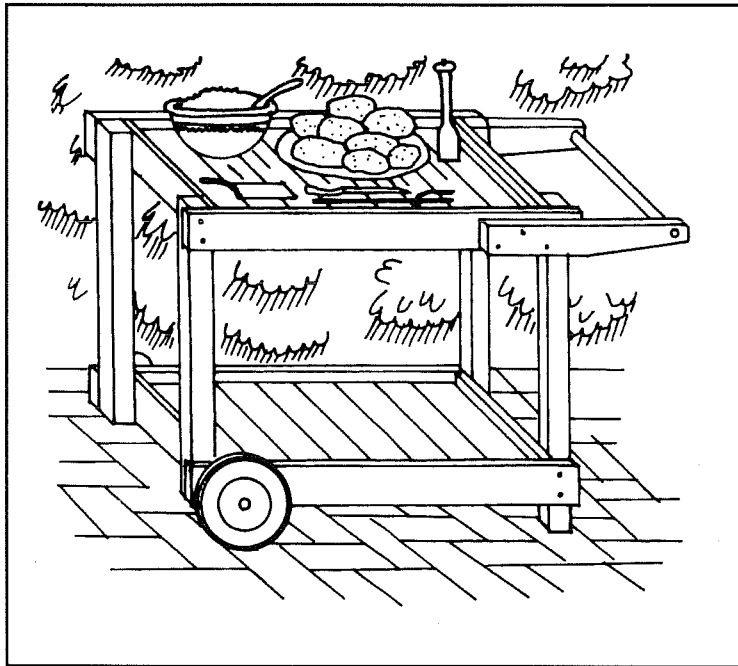


Barbecue Trolley

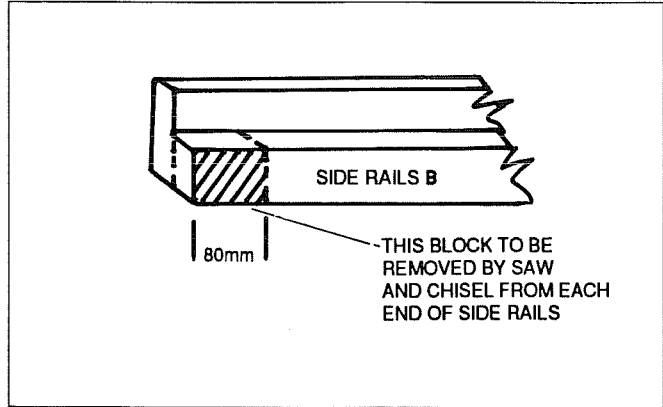
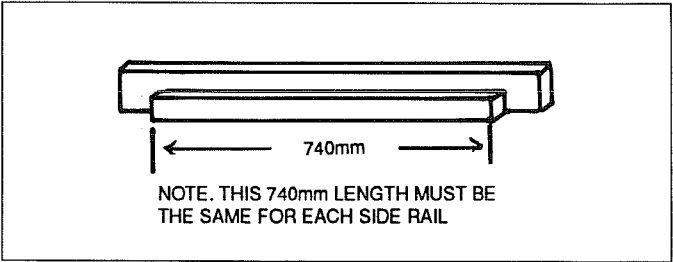


Many of those odd bits and pieces required at the outdoor barbecue can be delivered conveniently on this barbecue (or indoor tea) trolley. Basic design consists of two equal sized flat trays supported on corner posts. However we strongly advise that you decide first on the sort of wheel/axle system since width of trays should be made to fit closely between the wheels. With some changes in details the width of this barbecue trolley can be adjusted to suit your purchased wheel, axle, bracket units. As an alternative you could use a system of bolts and lock nuts, etc, to fasten wheels to base tray or corner post as shown later.

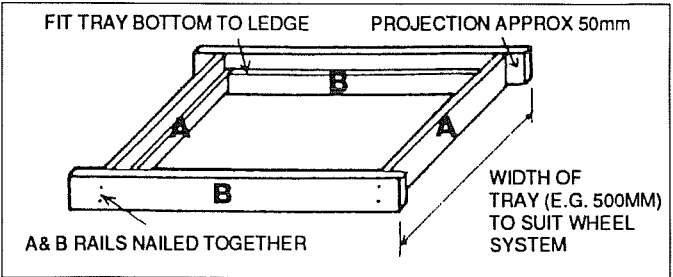
▼ STEP BY STEP ▼

- 1 Cut corner posts:** From the pieces of 50 x 50 mm DAR timber cut four posts (P) each 750 mm long.
- 2 Cut end rails:** From the pieces of door jamb cut four end rails (A) each of an exact length to suit the axle/wheel system.
Example:
For an overall width of tray of 500 mm cut four end rails each 465 mm long
- 3 Cut side rails:** From the pieces of door jamb cut four side rails (B), each the same length of 900 mm.
- 4 Mark out side rails:** At each end of the four side rail pieces mark out as shown 80 mm from each end. Mark edges as guide for removal of excess material.

- 5 Saw and chisel out rail section:** Saw and cut on marked line 80 mm from each end and chisel out excess materials to give four rails as indicated in diagram. Check the dimension shown as 740 mm in diagram. This measurement should be the same for each cut and trimmed rail.



- 6 Assemble tray frame:** Fit tray rails together and fix in position using nails. Check squareness of trays and confirm that the two trays are the same size. Trim rails and adjust where necessary.



7 Cut bottom planks: Measure internal width of tray as shown in 6. Cut 16 bottom planks to this length or cut particleboard or plywood to fit in as tray bottom.

8 Square up trays: Fit a bottom into each tray and fix in place using glue and nails. Before final fixing square up tray and check that the two trays are of the same size.

9 Attach legs: Fix trays to the four legs as shown in diagram below using glue and screws. Note that the final length of each pair of legs will depend on wheel/axle bracket system used. However, in this initial assembly, the four posts are of equal length such that the overall height remains at 750mm. The distance between trays maybe varied depending on the wheel and axle system chosen.

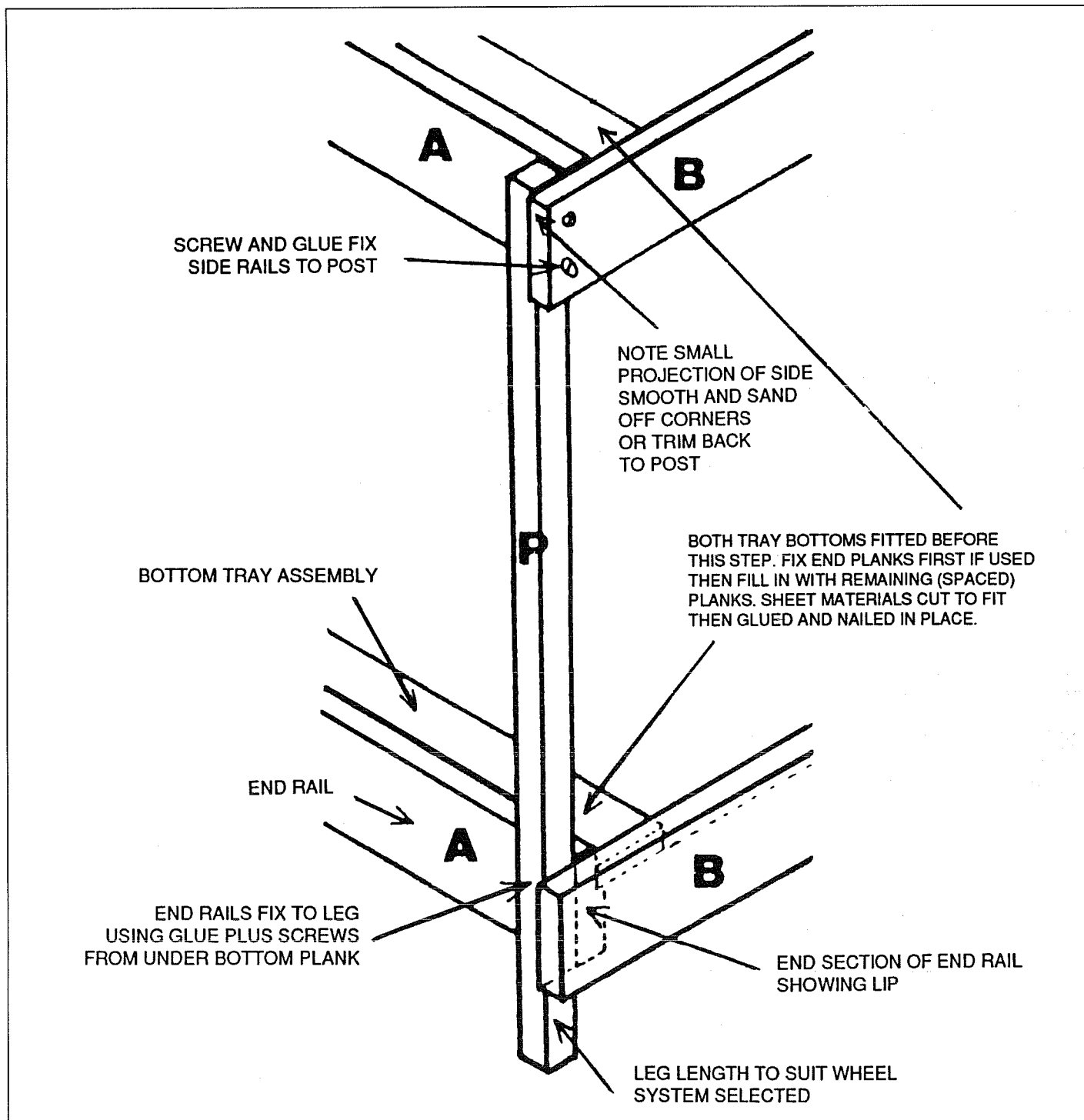
10 Fix wheel system. Note: The assembly could stand on four legs until the wheels are attached to the front of the

unit, or the front "legs" are removed first as appropriate for selected wheel assembly. Fit selected wheel/axle system. Cut off excess front leg as required.

11 Provide drainage holes. If sheet products (particleboard or plywood) are used in trays, provide drainage holes (9mm 3/8" diameter in each corner. Loose fitted plank bottom if used should give adequate drainage.

12 Smooth and rounding off: Using sanding disc, sander or hand sanding or planing, smooth and round off all accessible sharp corners and edges of the trays and posts. Punch all nails if desired and fill nail holes with putty/filler the same colour as timber.

Note: The trays could have side rails projecting 5-10 mm beyond post. These projections should be rounded off thoroughly, or trimmed off.



Tools you will need

- Saws
- Drill and bit, countersunk bit
- Measuring Tape/Rule
- Carpenters square & pencil
- Adjustable spanner
- Wood chisel
- Hammer
- Screwdriver
- Chisel

Materials you will need

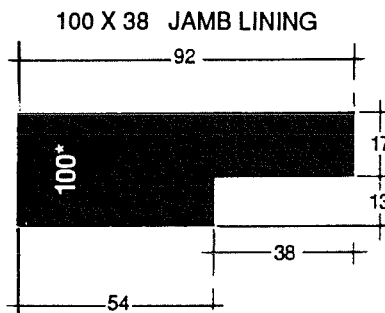
TIMBER

Note that this trolley is designed on the assumption that it will be generally protected from exposure to rain and dew. If this limit on exposure is accepted, then standard door jamb lining can be used (e.g. from Pacific Maple, meranti, oregon, radiata pine, Tasmanian oak, etc.) and standard or interior quality particle board or plywood would be acceptable for bottom of trays. Corner posts could be timber selected for appearance rather than for performance under weather exposed conditions.

- 50 mm x 50 mm DAR
 - 4 pieces 750 mm * (4 posts)
- 100 x 38 mm door jamb lining (see diagram)
 - 4 pieces 900 mm * (side rails)
 - 4 pieces 600 mm * (end rails)
- 100 x 25 mm DAR softwood
 - 16 pieces as bottom planks or use 19mm particleboard or 12 mm plywood cut to fit frames

- 75 x 25 mm DAR softwood
 - 1 piece 900 mm * (rail bracket)
- 19 mm or 25 mm diameter dowel or broom handle
 - 1 piece 700 mm for handle/rail

* Discuss these length requirements with your supplier, who will supply standard long lengths of timber from which these pieces can be cut.



HARDWARE

- 8/50 x 6 mm diameter round head wood screws (end rail to post).
- 40 mm x 6 mm diameter round head wood screws (side rail to post, handle).
- 100/50 x 2.8 mm bullet head nails.(bottom planks)
- PVA wood adhesive
- 2/150 mm diameter wheels/axles bracket units as available.

13 Cut, trim and fix handle: From the piece of 75 x 25 mm DAR x 900 mm cut two handles each 450 mm long. Trim or shape as in diagram, smooth all corners and edges, then screw - and glue-fix to rear end of upper tray as in diagram.

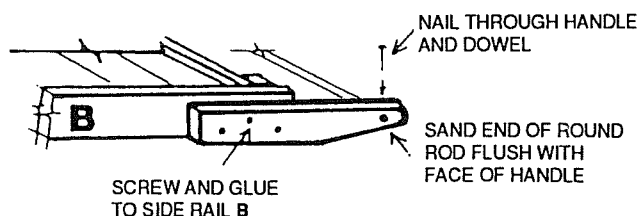
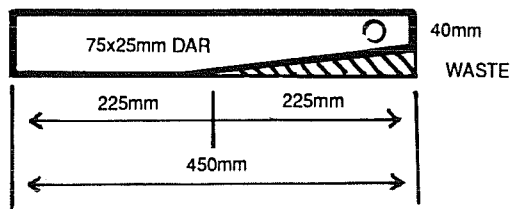
Note: To make sure that handle fits flat to the rail you may need to chisel out small pieces of the handle where it comes into contact with the heads of screws into posts or use countersunk screws.

Cut to length and insert broom handle/dowel. Use glue in hole and drive in one 30 mm long nail through top edge of shaped timber piece into handle/dowel.

14 Apply finishes: Clear finish with three coats of satin clear polyurethane finish, or selected stains, or garden furniture finish or conventional paint finish. It is strongly recommended that the trolley receive a thorough coating of one of these finishes and that this coating be maintained adequately.

HANDLE PATTERN

(MAKE TWO) ROUND OFF EDGES CORNERS BEFORE FITTING



FOR WEATHER EXPOSED TROLLEYS

If the trolley is to be exposed to weather for long periods, then be selective about materials. For timber components for example select "durable" or moderately durable timbers such as western red cedar, jarrah, black butt etc. or preservative treated timber, OR pay particular attention to applying exterior finishes (and then maintenance) to low durability timbers. Fastenings (nails, bolts, etc.) should be non-corroding such as hot dipped or electroplated galvanised coatings.

