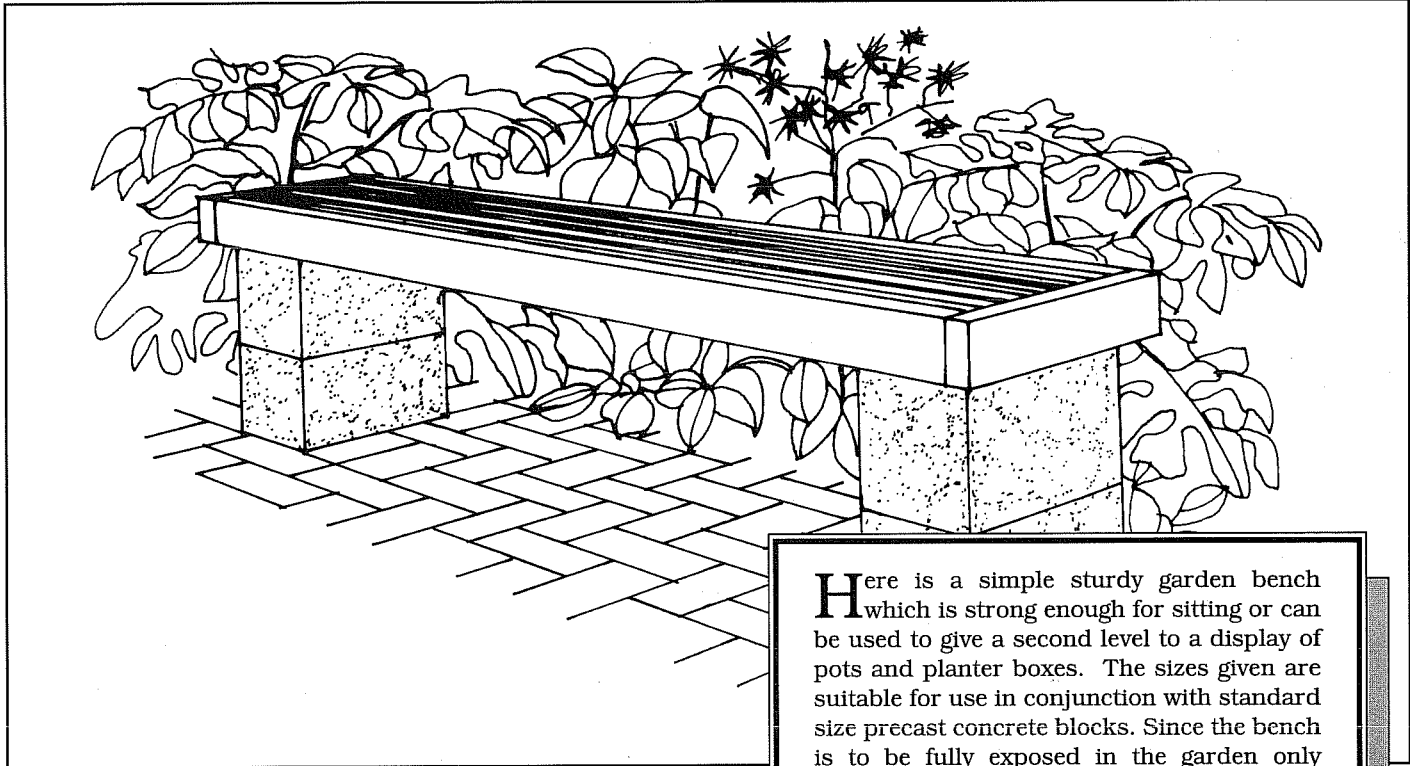


Garden Bench



QUALITY • SERVICE • INTEGRITY

Timber and Building
Materials Association
(NSW) Limited



Here is a simple sturdy garden bench which is strong enough for sitting or can be used to give a second level to a display of pots and planter boxes. The sizes given are suitable for use in conjunction with standard size precast concrete blocks. Since the bench is to be fully exposed in the garden only durable timber should be used. **Consult your timber stockist on what timbers are both suitable and available.** A water repellent/stain or other coating on the finished project will provide some protection and give a longer useful life.

TOOLS YOU WILL NEED

- Saw
- Carpenter's square and pencil
- Measuring tape or rule
- Hammer
- Spanner
- Drill and bits
- Electric sander, disc or orbital

MATERIALS YOU WILL NEED

TIMBER

All timber durable and should be sawn finish, softwood or hardwood.

- 100 x 50mm, 1 piece 3.6m (2 side rails)
- 100 x 50mm, 1 piece 1.2m (2 end bars)
- 75 x 50mm, 1 piece 1.8m (rail)
- 75 x 50mm, 2 pieces 3.6m (4 rails)
- 25 x 25mm, 1 piece 0.9m (2 cleats)
- 50 x 25mm, 1 piece 2.1m (14 spacers)

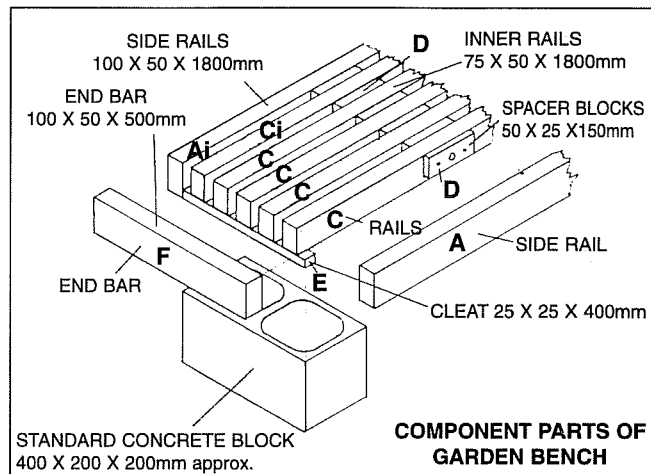
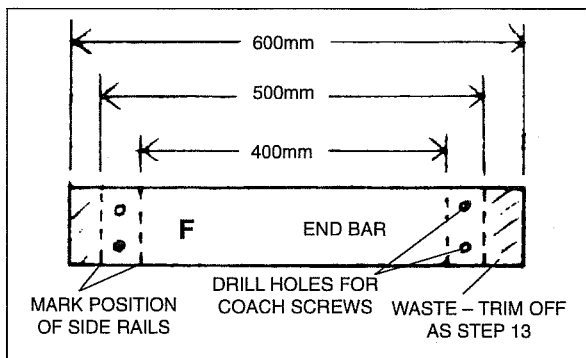
HARDWARE

- 100/100 X 3.2mm galv. bullet head nails
- 50/50 x 2.8mm galv. bullet head nails
- 8/100 x 9.5mm galv. coach screws
- 4 Concrete Blocks (Std.) 400 x 200 x 200 mm

STEP BY STEP

- 1** Cut two side rails 'A' each exactly 1800mm long from the timber piece 100 x 50mm x 3.6m. Prime or seal end grain of each piece with selected finish.
- 2** Cut five inner rails 'C' from the timber pieces 75 x 50mm x 3.6m, and from the timber piece 75 x 50mm x 1.8m **Note:** Each rail 'C' is to be exactly the same length as side rails 'A'. Prime or seal end grain of each rail with selected finish.
- 3** Cut 14 spacer blocks 'D' from the 50 x 25mm x 2.1m timber piece; each spacer to be 150mm long approx.
- 4** Cut two 25 x 25 x 400mm cleats 'E' from the timber piece 25 x 25 x 900mm.
- 5** In each spacer pre-drill two holes to receive the 50 x 2.8mm nails about 25mm from each end. Drill diameter to be about 2.2mm.

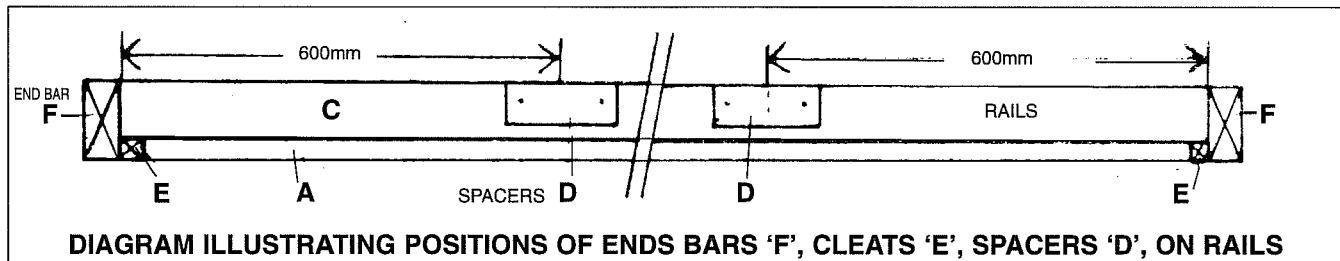
- 6** Cut from remaining timber piece 100 x 50mm x 1.2mm, two pieces 'F' each about 600mm long for end bars. Mark out as in diagram below.



- 7** Pre-drill holes in end bars 'F' for coach screws as indicated.

- 8** **FIX END TO SIDE RAIL:** Coach screw end bar 'F' (100 x 50 x 600mm) to one side rail using two coach screws, pre-drilling receiving holes. Note: A temporary brace could be fitted to hold the corners square. Use triangular piece of timber, building board or similar.

- 9** **FITTING CLEAT AND FIRST SPACERS:** Nail the 25 x 25 x 400mm cleat to the end bar, pre-drilling nail holes if necessary, space nails approx. 150mm apart. Then fix two spacer blocks previously prepared to the side rail at spacing shown, using two 50 x 2.8mm galvanised nails in each spacer.

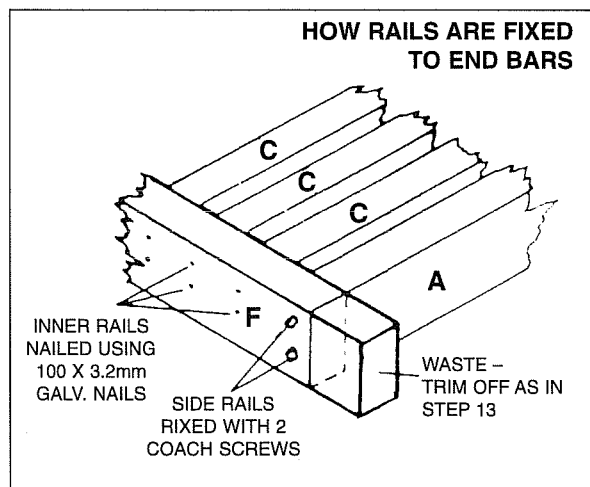


- 10** **FIX INNER RAILS:** Locate rails 'C(i)' as shown in diagram of component parts and nail in place first through the end pieces using two 100 x 3.2mm galvanised nails each end. Check squareness then nail at centre of spacer blocks using one 100 x 3.2mm nail.

- 11** Nail spacer blocks on rail 'C(i)' spaced in line with other blocks.

- 12** Nail on second rail as for 'C(i)' and continue fixing spacers then rails. Finally, the second side rail is fixed, using coach screws at ends and nails at spacers.

Note: Always fix rails to end bars 'F' first, check squareness of assembly, then nail rail at spacers.



- 13** Trim off excess of end bars 'F' to give neat finish to bench.

- 14** **Smooth** down bench. Sawn timber has been used, so roughly smooth out seating surfaces with coarse sandpaper or sander to remove splinters.

- 15** **Apply** selected water repellent stains or similar exterior/garden furniture finishes.

Note: Applying the first or prime coat of paint or stain to all parts before assembly is started is recommended. It is usually much easier to achieve a good prime coat in this way.

- 16** **Locate** in garden on two or four concrete blocks as shown. If desired a piece of aluminium sheet damp course can be placed between concrete block and bench.

Note: If blocks are loosely stacked rather than cemented in place the bench can be readily removed to different locations.

Supplied by