

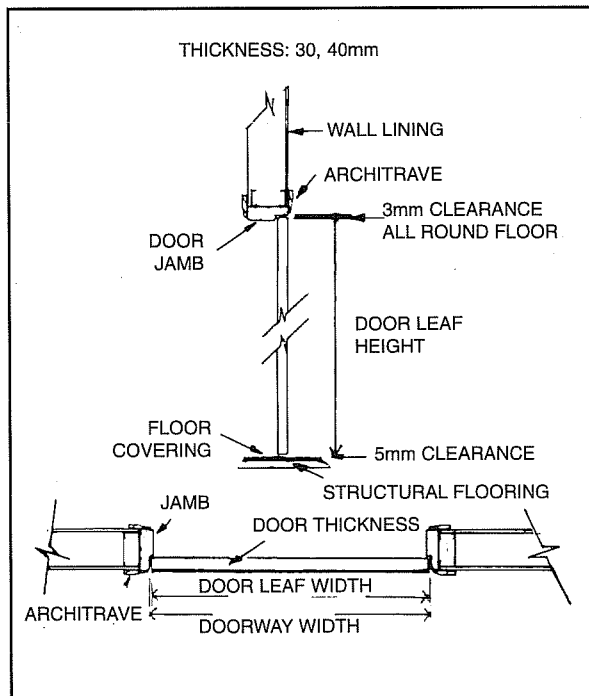
Hanging a Door

STEP BY STEP

1 SELECTING A DOOR: Measure the door opening at the points shown in sketch and use these measurements to discuss with your TABMA merchant which one of the range of standard size doors would fit your needs. If your door opening is a non-standard size then you will need to order a special door to suit your needs unless a standard door can be trimmed to the required size.

Consult your door stockist about the standard sizes available. As a guide the metric standard single door sizes are:

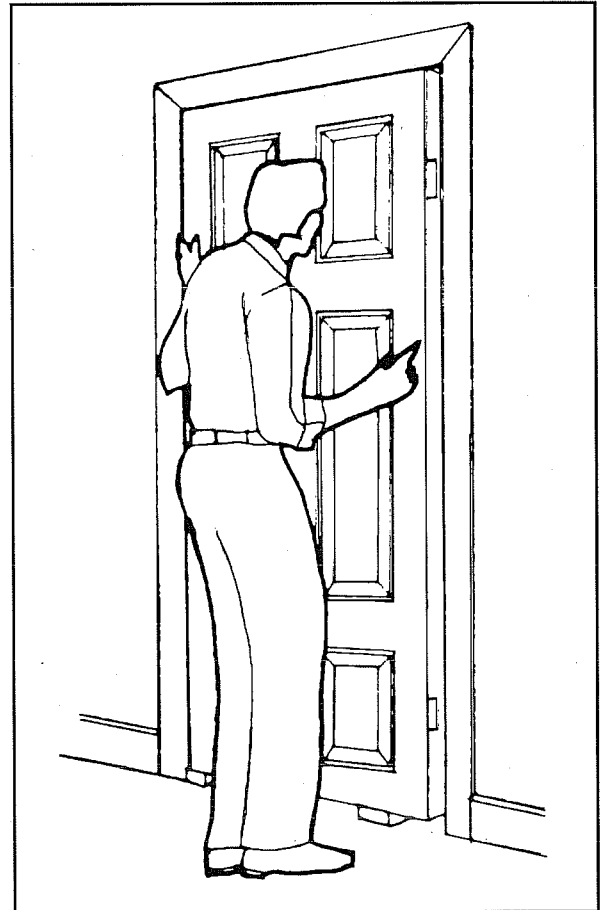
Height: 2040 or 2340mm
Width: 520, 620, 720, 770, 820, 870mm
Thickness: 35, 40mm



2 STORAGE OF YOUR DOOR: We recommend that the door should be hung as soon as possible after purchase. However, if the door must be stored then it should be stacked flat in a cool dry area, free from moisture and not exposed to sunlight or heat. Doors should not be stacked directly on fresh or new concrete, nor should they be leant against a wall for extended periods.

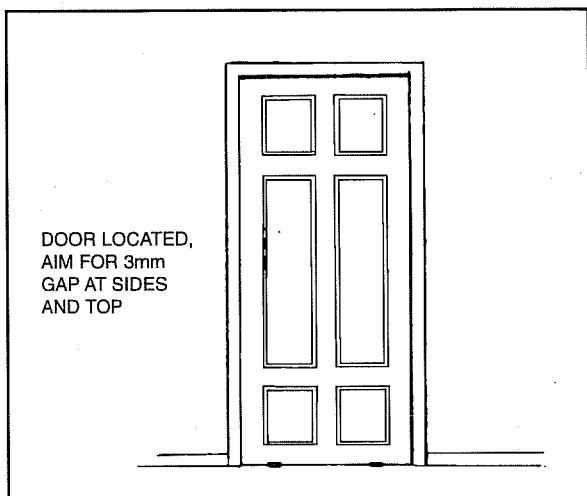
3 CHECK THE DOOR SIZE: Stand the door up in the door frame in the position you will finally fix it. You will need to locate the lock blocks in hollow or flush panel doors in the correct position for fitting the lock on the frame. A correctly fitted door should have about 3mm clearance on all sides. Allow 20mm clearance at the bottom of the door if carpet is to be fitted and at least 10mm clearance if vinyl or cork tiles are to be fitted. If floor coverings are already in place then allow about 5mm clearance above existing floor covering.

If there is insufficient clearance all round the door then mark a line on the door (a carpenter's flat pencil is useful) indicating 3mm from the frame and floor clearance as required.



4 TRIM DOOR: Remove door from frame and with hand plane, power planer, hand or power saws, as available, trim back to clearance lines marked in Step 3. If stock size doors are too narrow for the opening, then margin strips can be glued and nailed to the edges of the door to make up the required width. Naturally, matching timber is desirable where appropriate and the piece should be planed and sanded to give an exact fit.

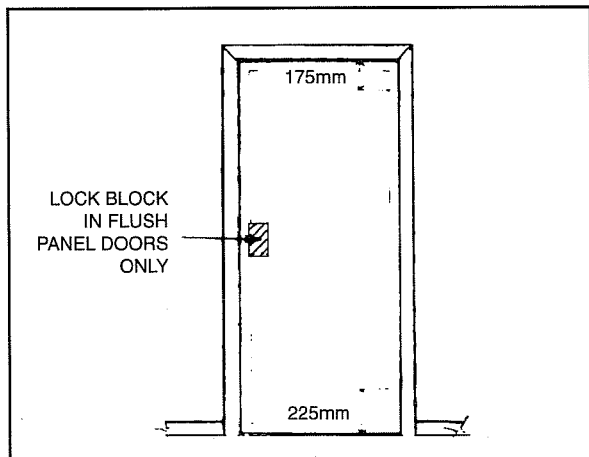
- 5 CHECK SIZE:** Confirm that your door now fits the frame. A set of blocks, chocks or wedges positioned under the bottom of the door is a useful aid during this check measurement and subsequent fittings.



- 6 POSITION TRIMMED DOOR IN FRAME:**
- (a) Confirm that the location of lock block in hollow door is as required; or
 - (b) ensure that patterned or profiled doors are positioned in the correct way.

- 7 INSTALL HINGES:** With door correctly positioned mark location of door hinges on the door and the frame at the same time. For light doors these should be located about 175mm from the top and 225mm from the bottom of the door.

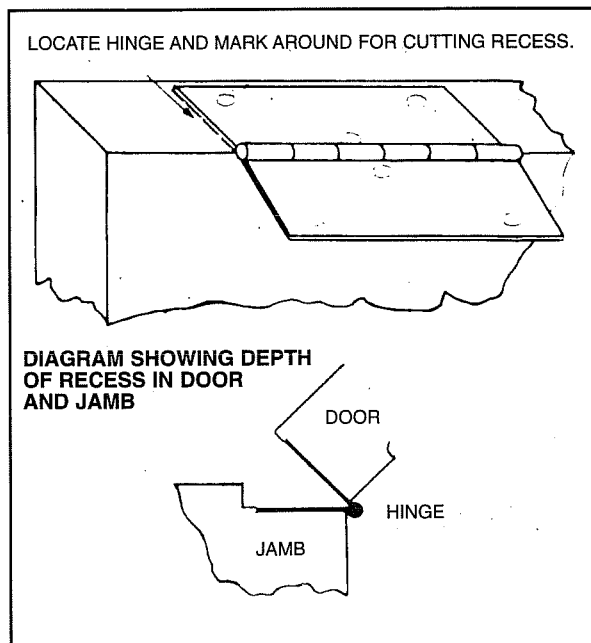
Remove door and mark out and cut recess in both door and frame to receive hinges. (The hinge should be fitted neatly but flush to the surface of both door and frame).



Mark and drill screw holes and screw fix hinges to door.

Note: Solid, heavy external doors may need 3 hinges. For external doors it is preferable to use non corroding* hinges or screws to avoid development of rust stains. Internal doors - use common steel butt hinges and screws. (*Brass, aluminium or galvanised).

- 8 FIT DOOR HINGES TO FRAME:** Line up hinges in prepared recess in frame and mark, then drill screw-hole and screw-fix hinges using one screw in each hinge. Check swing of door and make adjustments as necessary, i.e. enlarging recesses or packing hinges or relocating screw holes. Then locate and fit remaining screws



- 9 INSTALL LOCK SET IN DOOR:** Follow manufacturer's instructions for installation of lockset. (Note: on hollow core doors/flush panels, etc., the lock set must be installed at the block. Usually the block in new doors - and lock set is installed about 1 metre from floor.)

- 10 INSTALL STRIKER PLATE:** With lock in door in correct position and door frame, cut necessary recess and fix as instructed by lockset manufacturer.

- 11 FINISHING DOOR:** With all fitting now completed, the door can be finished as desired, either hanging or removed. Note that for external doors it is desirable to fully paint, seal or otherwise finish both top edge and bottom edge of door. Follow the paint manufacturer's instructions as regards primer/sealer, undercoat and finishing coats.

If door is removed for painting, it is desirable to avoid refitting the door until the coatings are completely hardened so as to avoid marking the finish.

Supplied by